

Water Saving Wicking Solutions



BERA®  **WaterUps**®

Introduction



Wicking is a self-watering technology, making use of capillary rise, discovered ages ago. Perlite is used in all BERA® WaterUps systems as the medium to wick water from a reservoir to the soil above. Wicking enhances soil aeration and delivers moisture to the roots of any type of vegetation.

The globally protected design of WaterUps wicking cell is the 'engine' of all systems shown in this catalogue. The cells are placed in ready-to-use reservoirs such as square or rectangular shapes. They can also be cut to fit any other shapes such as circular pots.

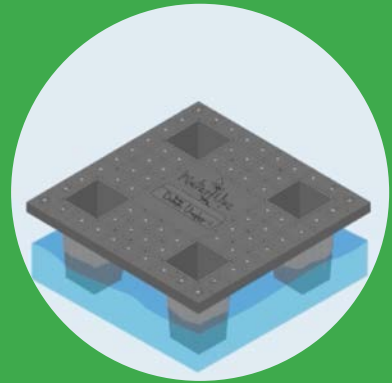
From single 40 x 40 cm planted area as well as for applications in free-shaped borders using waterproofing liners to create the reservoir. Ideal for new and retrofit projects.



How wicking works?



WaterUps uses the same principle as an oil lamp that uses cotton to wick oil from below.



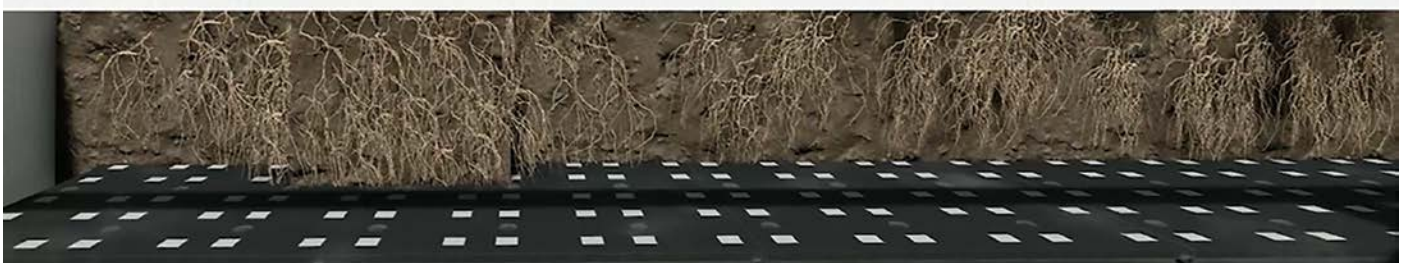
Each WaterUps bed has a series of legs which allows the soil mixture to wick or suck the water from the reservoir to the layer above.



This provides a more consistent water supply to produce ideal consistent water levels and reducing water waste and providing the optimal environment for plants to grow to their full potential.



Gardeners only need to water filling the reservoir system at extended intervals rather than water plants daily.



WaterUps and BERA Proudly Received the Prestigious “Groene Sector Innovation Award”

WaterUps is ecstatic to announce our recent triumph at the esteemed “Groene Sector Innovation Award” in The Netherlands. This prestigious accolade, recognized as a benchmark of excellence in the green sector, celebrates innovation, sustainability, and environmental stewardship in gardening and landscaping. Winning this award highlights our pioneering approach to sustainable gardening and places WaterUps at the forefront of the industry. Our wicking bed technology, endorsed by industry experts including landscape architects and gardening professionals, is validated as an integral part of the future of sustainable gardening on a global stage.

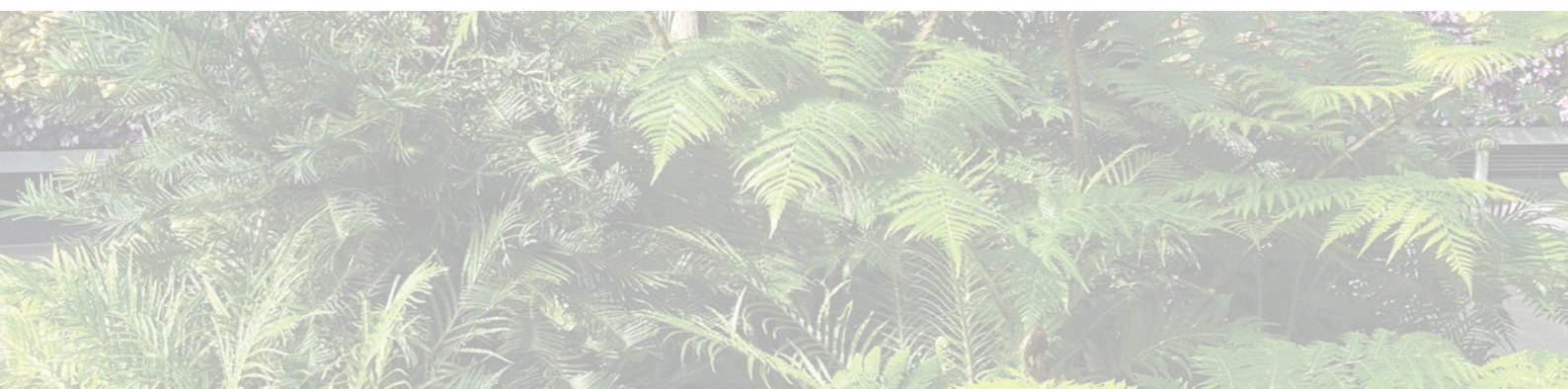


Index



The BERA® WaterUps solutions are summarized in this catalogue as follows:

A) Square Planter Kits , including all necessary parts, available in 3 colors	6-7
B) Planters & Tree Reservoir Kits , designed for larger planters or under trees	8-9
C) Planters & Tree Reservoir Starter Kit , designed for small and medium planters . .	10
D) Wicking Kits in a variety of sizes and shapes for wicking beds and vegetable gardens	11
E) Sub-Irrigation Channel Basic Kit , for straight planters or borders	12-13
F) Sub-Irrigation Channel Extension Kit , to extend the Basic Kit, in series or in parallel configuration	12-13
G) Water level sensor and automation system	14
H) Projects	15



BERA® WaterUps Square Planter Kits



What are BERA® WaterUps Square Planter Kits?

BERA® WaterUps Square Planter Kits come with a decorative planter of 48 x 48 cm size and a height of 43 cm. A perfect compact solution for use with decorative plants, vegetable or herbs in the garden, on the terrace or balcony. Available in 3 colors and all are ready-to-use with a wicking cell, water inlet pipe and cap, overflow kit as well as a bag with 2 liter of perlite. This mineral is used in the wick because it will remain functional without degrading.



What's included?

- 1 x Planterbox
- 1 x Wicking cell
- 1 x Inlet pipe
- 1 x Overflow
- 1 x bag of perlite (2 liter)

- ✓ A self-watering planter box.
- ✓ Use on balconies, terraces or courtyards.
- ✓ >17 liters of water to keep plants of vegetables happy and healthy for weeks.
- ✓ **Proven water savings of 80% and more.**
- ✓ Just fill the reservoir when almost empty.
- ✓ Produce 30% more fruits, veggies or flowers due to optimized moisture in potting mix.



Environmental and technical expertise

BERA globally adheres to the United Nations Sustainable Development Goals. WaterUps is fully in line with our policies in the use of recycled polypropylene, 100% recyclable at the end of life and saving up to 80% of water. Combatting heat island effects by planting trees will help create a better world for our future generations. It enhances biodiversity benefitting the environment and offers the opportunity for growing healthy vegetables or herbs just at your own space.

Technical Specifications

GENERAL

Material	: 100% recycled polypropylene (recyclable)
Manufacturing technology	: High precision injection moulding
Manufacturing standards	: ISO9001
Colour and article number	: Black - ID2101030 Light grey - ID2101031 Latte (beige) - ID2101032
UV, chemical resistance	: resistant
Dimensions reservoir	: 48 x 48 x 43 cm
Water content	: 17.6 liter
Potting mix (not included)	: 45-50 liter
Perlite 2-4mm	: 2 liter
Weight kit, (excl. soil)	: 5.2 kg

** subject to change without prior notice*





A great addition to BERA Systems to Preserve Water for Future Generations



BERA® WaterUps Planters & Tree Reservoir Kits are comprehensive 40 x 40 cm reservoirs with extended filling pipe to enable installation of the wicking kit below larger size root-balls. The filling pipe is equipped with a lockable cap.



Best start in life for plants and young trees

Watering effectively from below the roots enables plants and young trees to get off the best start in life, creating strong deep roots to survive future extreme seasons as we all experience more and more due to climate change.

Saving up to €380* per tree in maintenance costs

A game changer for planter box applications and tree planting programs, turbo-charging plant- and tree growth in every way, while saving up to €380* per tree in maintenance costs in the first 18 months of a tree's life.

**based on Australia case studies*



What's WaterUps Planters- & Tree Reservoir™ complete kit?

Kit article number ID 2101019

- 1 x WaterUps Reservoir + cell
- 1 x inlet pipe (double length)
- 2 x connector (to extend inlet pipe + to put the cap)
- 1 x lockable cap
- 1 x key

Perlite to be bought separately, 2 liter - ID 2101042



Ultimate solution to a greener environment

With the millions of trees and other greens to plant to reduce heat island impacts, the WaterUps Planters- & Tree Reservoir™ is the ultimate solution for municipalities, developers, architects and landscapers wanting to green cities, future proof communities and make lives more liveable.

Technical Specifications

GENERAL

Material	: 100% recycled polypropylene (recyclable)
Manufacturing technology	: High precision injection moulding
Manufacturing standards	: ISO9001
Manufacturing location	: Australia, EU pending
Colour	: Black
UV, chemical resistance	: resistant
Dimensions reservoir	: 40 x 40 x 13 cm
Water content	: 15 liter
Installed depth	: ca. 35 cm below roots
Weight incl. lid and inlet pipe	: 2.2 kg
Wicks / Feet	: 4 / module
Perlite medium grain size	: 2 liter / module
Product ID	: 2101019

** subject to change without prior notice*





The Watering Solution for Planters

BERA® WaterUps Planters & Tree Reservoir Starter Kits are the optimized solution for any planter able to accommodate the 40 x 40 cm reservoir with decorative plants, herbs or vegetables. Just add the perlite (2 liter per reservoir) and off you go!



What's inside WaterUps Planters- & Tree Reservoir Starter kit?

- Kit article number ID 2101037
- 1 x WaterUps Reservoir + cell
 - 1 x Inlet pipe + cap

BERA® WaterUps Wicking Kits



BERA® WaterUps Wicking kits include the inventive WaterUps wicking system to deliver a water-tight and efficient water reservoir and ideal soil biome conditions.

Water is stored in the base of the planter reservoir and wicked via perlite up to the soil above, closer to the roots and more conducive for thriving plants.

By installing the WaterUps DIY Wicking Kits in their beds, gardeners will save time and money as they won't have to water their garden beds as regularly, nor use or waste as much water – all while growing healthier plants. There are 4 sizes covering 4 most popular dimensions of new or retrofit raised beds:



0880 Kit (ID 2101035)

Measurements / Materials

800mm (L) x 800mm (W) x 150 mm (H) (External)
Water reservoir capacity: 68L

What's included

- 1 x WaterUps 0880 Reservoir Liner
- 4 x WaterUps Wicking Cells
- 1 x Inlet Pipe and Cap
- 1 x Long Screw Overflow Pipe
- 5 x WaterUps Joiners
- 1 x 6L Bag of Perlite
- 1 x 2L Bag of Perlite



1240 Kit (ID 2101033)

Measurements / Materials

1200mm (L) x 400mm (W) x 150 mm (H) (External)
Water reservoir capacity: 51L

What's included

- 1 x WaterUps 1240 Reservoir Liner
- 3 x WaterUps Wicking Cells
- 1 x Inlet Pipe and Cap
- 1 x Long Screw Overflow Pipe
- 11 x WaterUps Joiners
- 1 x 6L Bag of Perlite



1680 Kit (ID 2101034)

Measurements / Materials

1600mm (L) x 800mm (W) x 150 mm (H) (External)
Water reservoir capacity: 136L

What's included

- 1 x WaterUps 1680 Reservoir Liner
- 8 x WaterUps Wicking Cells
- 1 x Inlet Pipe and Cap
- 1 x Long Screw Overflow Pipe
- 11 x WaterUps Joiners
- 1 x 20L Bag of Perlite



2040 Kit (ID 2101036)

Measurements / Materials

2000mm (L) x 400mm (W) x 150 mm (H) (External)
Water reservoir capacity: 85L

What's included

- 1 x WaterUps 2040 Reservoir Liner
- 5 x WaterUps Wicking Cells
- 1 x Inlet Pipe and Cap
- 1 x Long Screw Overflow Pipe
- 8 x WaterUps Joiners
- 1 x 20L Bag of Perlite



BERA® Sub-Irrigation Channel Basic Kit



BERA® Sub-Irrigation Channel Basic Kit is the all-in solution for rectangular or square planters in larger size, but also borders and larger surfaces of trees and shrubs. Roughly 100 liter/m² of water storage ensures sufficient back up of water in dry and hot periods.

BERA® Sub-Irrigation Channel Extension Kit is the same as the basic kit, however designed for in-line or parallel extension of the wicking surface.



Enables the visions of landscape architects and garden creators to be brought to fruition and to live on.



- ✓ The fast and easy way for landscapers, property developers, councils and urban agriculturalists to build water efficient gardens in raised or in-ground beds
- ✓ Supports healthy, fast-growing plants.
- ✓ Enables a multitude of gardening projects to be built and maintained quickly and easily.
- ✓ Continue to perform year after year, delivering significant ongoing savings in time, watering and maintenance.



What's included in the Package

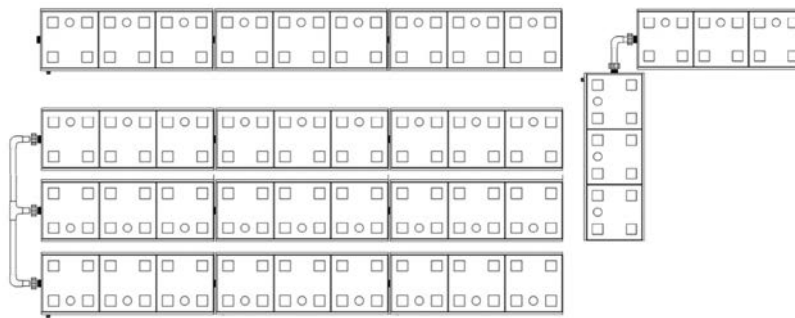
Kit article number ID 2101007

- 1x WaterUps Sub-Irrigation Channel 1.34 x 0.47m
- 3x WaterUps wicking cells
- 1x inlet pipe
- 1x overflow pipe
- 1x End Cap, Nut and Spigot
- 1x extension connection fitting

Perlite to be bought separately (6 liter per kit, ID2101043)

The extension kit ID2101008 is the same size, however without the inlet pipe, end cap, spigot and overflow extension.

Some examples of various garden beds you can build with the SIC:



Technical Specifications

GENERAL

Material	: 100% recycled polypropylene (recyclable)
Manufacturing technology	: High precision injection moulding
Manufacturing standards	: ISO9001
Manufacturing location	: Australia, EU pending
Colour	: Black
UV, chemical resistance	: resistant
Dimensions reservoir	: 134 x 47 x 16 cm
Water content	: 50 liter
Installed depth	: 60 cm
Weight incl. 3 cells and inlet pipe	: 7 kg
Wicks / Feet	: 12 / SIC
Perlite medium grain size	: 6 liter (ID2101043) / SIC

* subject to change without prior notice



BERA® WaterUps Water Level Control

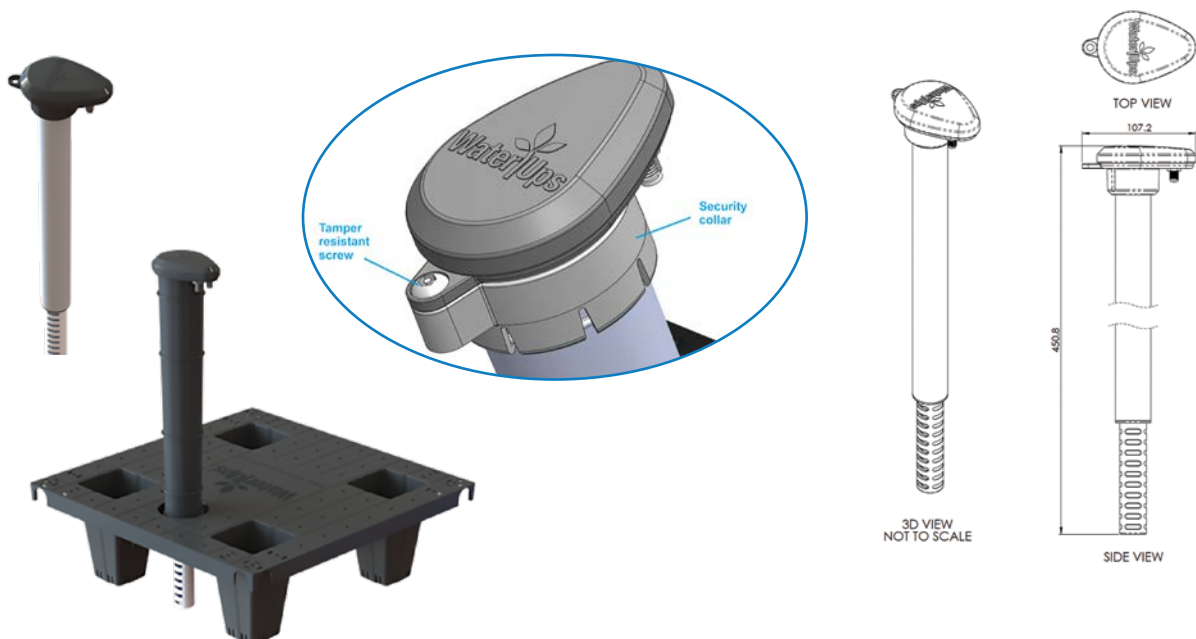


BERA® WaterUps Water Level Control

In all BERA® WaterUps systems there is a reservoir holding sufficient water for weeks. In individual planters you may check the water level by using a stick. Ideally start filling when the level reach as low as 2cm, fill up until water starts flowing out. Depending on the system the reservoir under each cell holds 15-17 liters. After some intervals you get the feel of when to refill.

For larger installations at home, but also in commercial buildings, restaurants and other locations where maintenance staff are involved we have developed a Water Level Sensor system that will become available late 2024 providing:

- Bluetooth and WiFi Connectivity
- Output to Smartphone
- Add user programable functions (all functions to be confirmed)
- On and off levels for solenoid can be user set
- Reporting / alarm function for low water level to dashboard
- Water consumption over time reporting function]
- Failsafe function to minimise possibility of overfilling by using reservoir volume and fill time measurements
- On board battery back up
- Ability to network level sensors / use multiple level sensors in one area



Projects





Contact Us

HEADQUARTER

BERA B.V. (THE NETHERLANDS)

T: +31 (0) 33 257 0302

E: info@bera-bv.com

SALES OFFICES

Belgium

T: +32 474 980 273

E: raphael@bera-bv.com

Czech Republic

T: +420 777 484 937

E: beracz@bera-bv.com

France

T: +33 (0) 9 81 12 76 58

E: info@bera-sarl.fr

Germany

T: +49 (0) 30 78 71 68 85

E: kontakt@bera-bv.com

Slovakia

T: +421 910 705 706

E: slovakia@bera-bv.com

Centro América

T: +(506) 87039731

E: centro.america@bera-bv.com

South Africa

T: +27 83 449 3954

E: franko@bera-bv.com



www.bera-bv.com